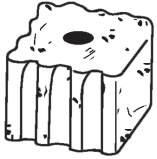


FAMILY OWNED AND OPERATED

JT EATONTM
SINCE 1932

No. 910H STRONGBOXTM BAIT HOLDER ROD KIT INSTALLATION INSTRUCTIONS



No. 750
TOP GUNTM
BAIT BLOCK[®]



No. 709-PN PEANUT BUTTER
BAIT BLOCK[®] OR
No. 709-AP APPLE BAIT BLOCK[®]



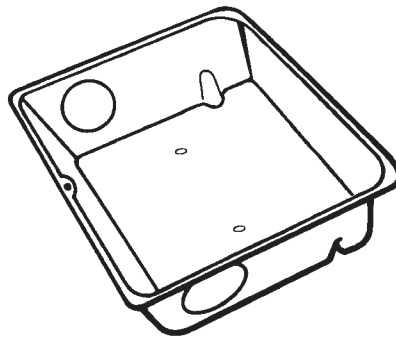
No. 716-B
BAIT BLOCK[®] 2G
Second Generation
RodenticideTM



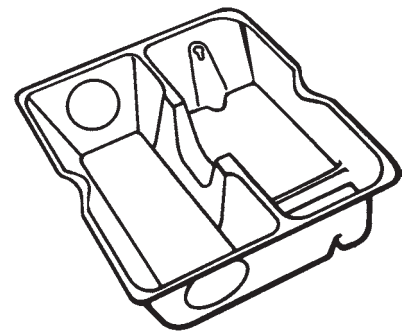
No. 716-S NECTUSTM
SOFT BAIT 2G
Second Generation
RodenticideTM Can Be
Used By Inserting Bait
Holder Rod Through Packet Edge



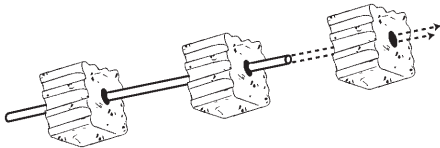
No. 910 BAIT HOLDER ROD



No. 910TP BAIT STATION

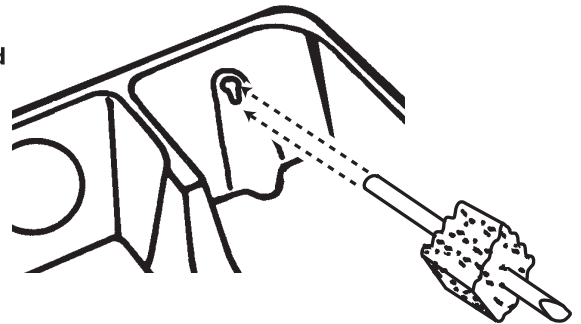


NOTCHED
No. 910TP BAIT STATION
PLASTIC INSERT TRAY

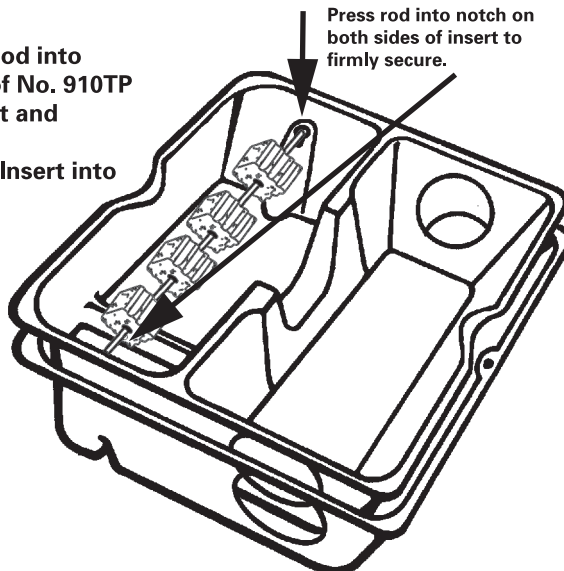


1. Insert bait rod through hole in any JT EATONTM BAIT BLOCK[®]. All provide excellent rodent control.

2. Insert either end of bait rod into notch on either side of No. 910TP Bait Station Plastic Insert.



3. Place other end of Bait Rod into notch on opposite side of No. 910TP Bait Station Plastic Insert and snap into place. Install No. 910TP Plastic Insert into No. 910TP Bait Station. Close Lid and Secure.



Press rod into notch on both sides of insert to firmly secure.

JT EATONTM

1393 East Highland Road
Twinsburg, OH 44087 U.S.A.
www.jteaton.com
330.425.7801 • 800.321.3421
FAX 330.425.8353

BAIT BLOCK[®] is a registered trademark and JT EATONTM, TOP GUNTM, NECTUSTM, STRONGBOXTM and Second Generation RodenticideTM are trademarks of J.T. EATON & CO., INC. ©2017

XINST910H